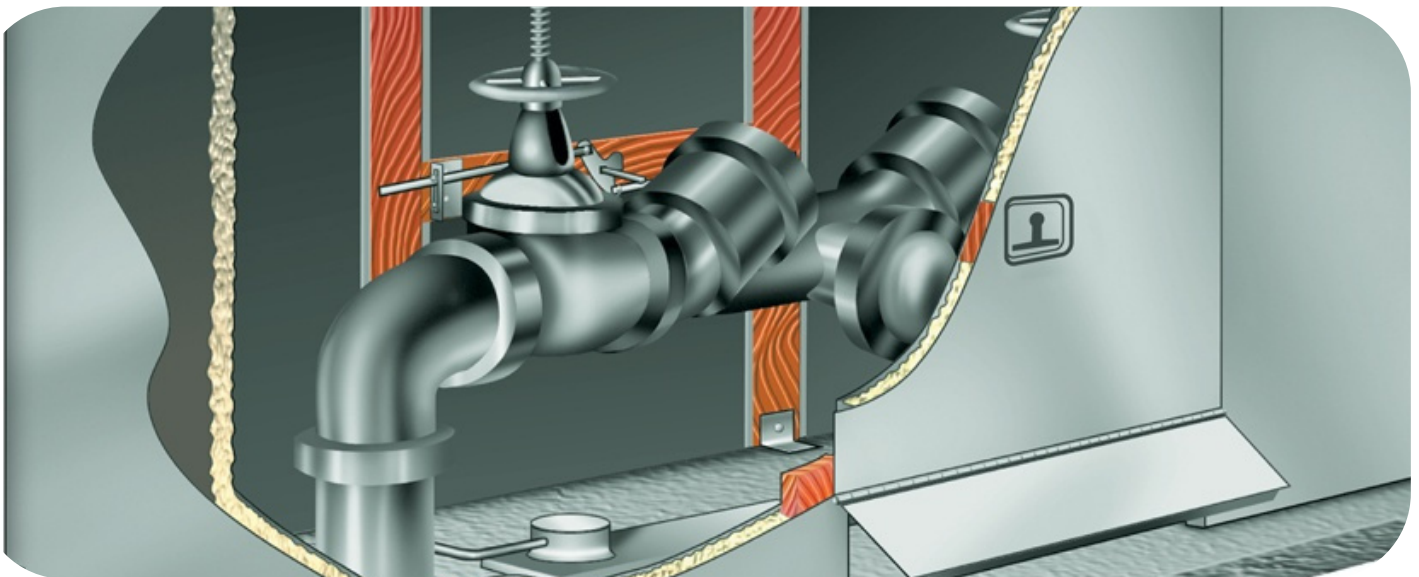




# Best Practices in Backflow Preventer Installation and Protection



## **Credits: ASPE, ASCE, ABPA, NRWA, and AWWA**

This course will cover national and local trends in backflow preventer installation, the rapid growth of RPZ style backflow preventers versus double checks, and the dangers of confined space entry. Participants will learn the pitfalls of installing RPZ backflow preventers indoors, the benefits of above-ground installation, and the ASSE 1060 criteria and certification of heated enclosures. The course includes videos showing RPZ relief valves in full operation and discusses a wide variety of styles and aesthetics of heated enclosures.